

Controller types:

Power controller:

- To restrict the drive torque (L)
- With option to reduce the geom. delivery flow (Lf1)

Load-sensing controller:

- For proportional directional spool valve (LS)
- with pressure limitation (LSN)

Pressure controller:

- For constant pressure systems (N)
- With remote-control port (P)
- With remote-control port for systems that are very sensitive to vibration (Pb)

Flow controller:

- For maintaining a constant flow (Q)
- For maintaining a constant level at higher speeds (Qb)

Electro-hydraulic proportional control of the pump:

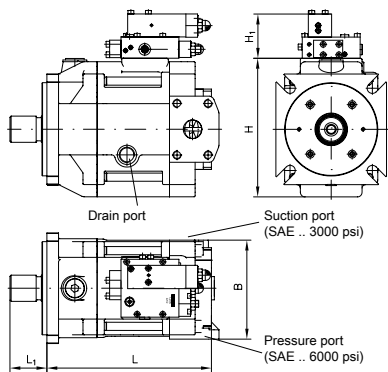
- For continuous delivery flow control using an electronic control card (V)

Controller:

- With hydraulic proportional control of the delivery flow (VH)

General parameters and dimensions

V30



(connection locations for clockwise operation)

	Geom. delivery volume V_g [cm ³ /rev]	Nom. pressure p_{nom} (p_{max}) [bar]	Self-suction speed n [rpm]	Dimensions [mm] approx.					m [kg] (with controller)
				L	L1	H	H1	B	
V30E - 095	95	350 (420)	2600	300	63	190	50	190	59
V30E - 160	160		2100	330	65	210	50	210	92
V30E - 270	270		1800	399	79	326	50	242	126
V30D - 045	45	350 (420)	2600	268	68	150	82	160	40 (46)
V30D - 075	75		2400	310	80	170	86	178	60 (66)
V30D - 095	95		2200	341	93	196	87	196	70 (76)
V30D - 115	115	250 (300) ¹⁾	2000	341	93	196	87	196	70 (76)
V30D - 140	140	350 (420)	2200	363	90	212	85	212	85 (91)
V30D - 160	160	250 (300) ¹⁾	1900	363	90	212	85	212	85 (91)
V30D - 250	265	350 (420)	1800	432	115	224	97	272	130 (136)

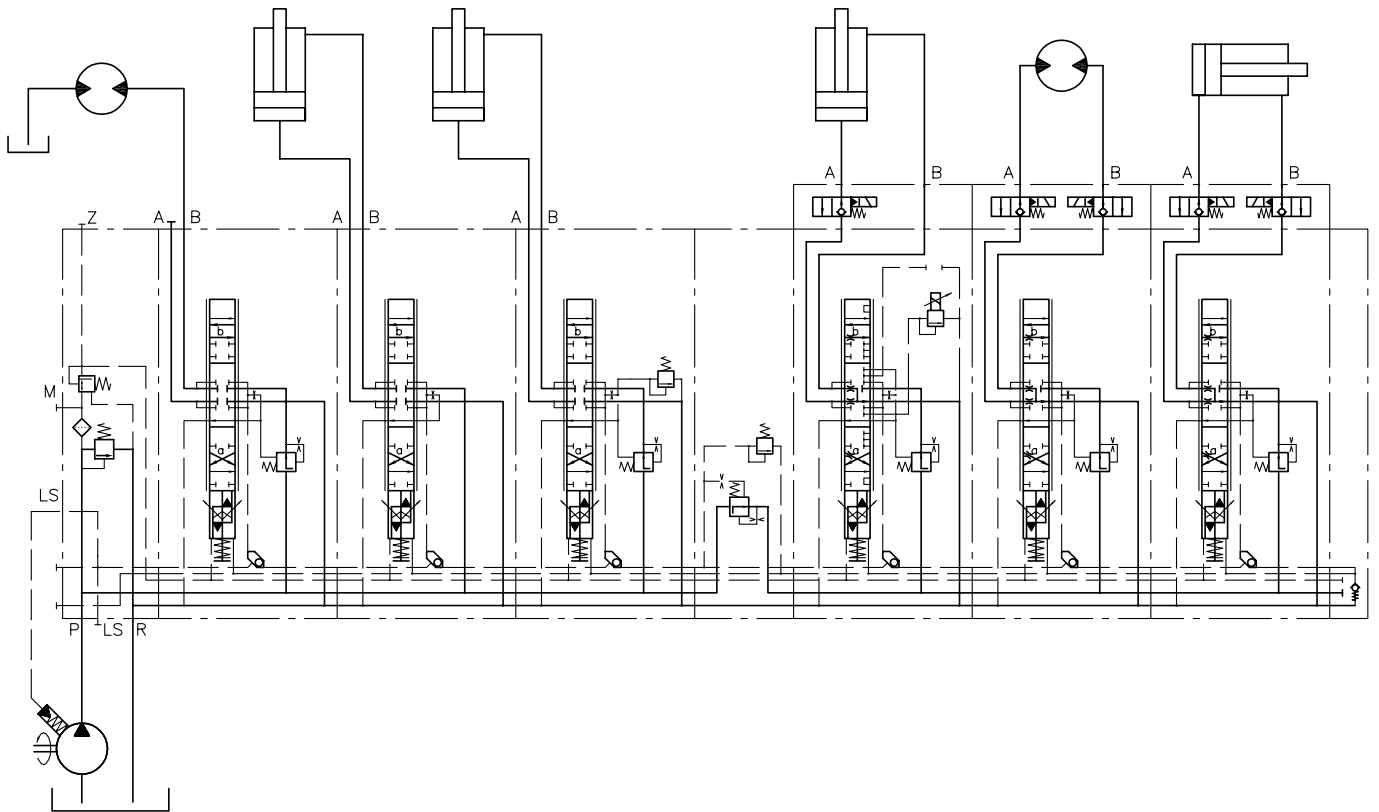
1) Higher pressure is possible with reduced geom. delivery flow

Ports:

	Drain port	Auxiliary port	Suction port	Pressure port
V30E - 095	G 3/4	-	2 1/2"	1 1/4"
V30E - 160	G 3/4	-	2 1/2"	1 1/4"
V30E - 270	G 1	-	3"	1 1/2"
V30D - 045	G 1/2	G 1/4	1 1/2 "	3/4"
V30D - 075	G 3/4	G 1/4	2"	1"
V30D - 095	G 3/4	G 1/4	2"	1 1/4"
V30D - 115	G 3/4	G 1/4	2"	1 1/4"
V30D - 140	G 3/4	G 1/4	2 1/2 "	1 1/4"
V30D - 160	G 3/4	G 1/4	2 1/2 "	1 1/4"
V30D - 250	M 33x 2	Pipe Ø 8	3"	1 1/2"

Example circuit:

V30E-270-LSF N-2-1/03-LSN-320



Associated technical data sheets:

- Type V30D variable displacement axial piston pumps: [D 7960](#),
Type V30E: [D 7960 E](#)

Similar products:

- Type V40M variable displacement axial piston pump: [D 7961](#)
- Variable displacement axial piston pump type V60N: [D 7960 N](#)
- Type K60N fixed displacement axial piston pump: [D 7960 K](#)
- Type M60N axial piston motor: [D 7960 M](#)

Suitable prop. directional spool valves:

- Type PSL/PSV sizes 2, 3 and 5: [D 7700-2](#), [D 7700-3](#), [D 7700-5](#)
- Type PSLF/PSVF sizes 3, 5 and 7: [D 7700-F](#), [D 7700-7F](#)

Suitable accessories:

- Prop. amplifier type EV1M2: [D 7831/1](#)
- Programmable logic valve control type PLVC: [D 7845-21](#),
[D 7845-41](#), [D 7845 M](#)